

UniRail

CONTACT

Office: 888.973.7600

1100 Ashwood Drive
Suite 1102
Canonsburg, PA 15317

www.clward.com

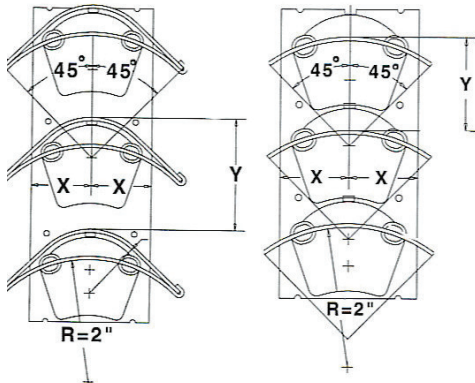
Detail

Single wall rail system

- Available in 2" and 4"
- Stamped from hot-dipped galvanized steel
- Conforms to SMACNA Standards



Profile



Size (Double and Single Wall)	X	Y
2" UniRail	1 1/8"	1 1/2"
4" UniRail	2 1/4"	3 1/4"

Packaging

Item Code	Item Description	Packaging	Weight
LSW2GA24	2" UniRail	200 ft/box	40 lbs/box
LSW4GA24	4" UniRail	100 ft/box	40 lbs/box