

# ALL Cleat

## Detail

- Roll formed from 22 gauge
- Available in 6" and 10' pieces
- Available in galvanized, SS 304, SS 316, aluminized, galvaneal
- ALL-Cleat is designed for J-Flange and other TDC connections



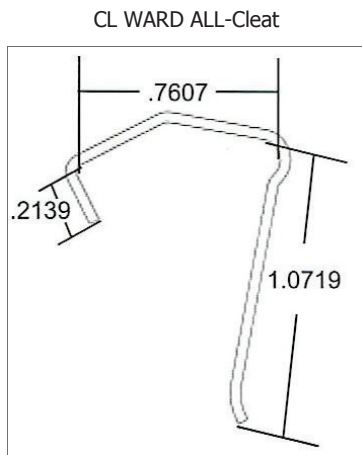
## CONTACT

Office: 888.973.7600

1100 Ashwood Drive  
Suite 1102  
Canonsburg, PA 15317

[www.clward.com](http://www.clward.com)

## Profile



## Packaging

Item	Description	Gauge	Packaging	Wt.
LV6CGA	6" ALL Cleat	22	125 ft/box	29 lbs
LV10CGA	10' ALL Cleat	22	100 ft/bundle	23 lbs