

# TDCII and TDFII Corner

## CONTACT

Office: 888.973.7600

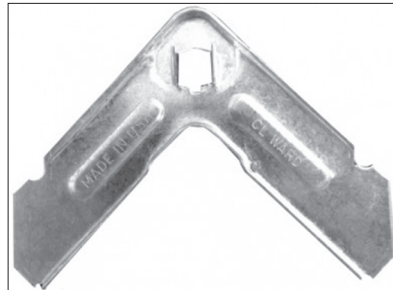
1100 Ashwood Drive  
Suite 1102  
Canonsburg, PA 15317

[www.clward.com](http://www.clward.com)

## Detail

### TDC II Corner

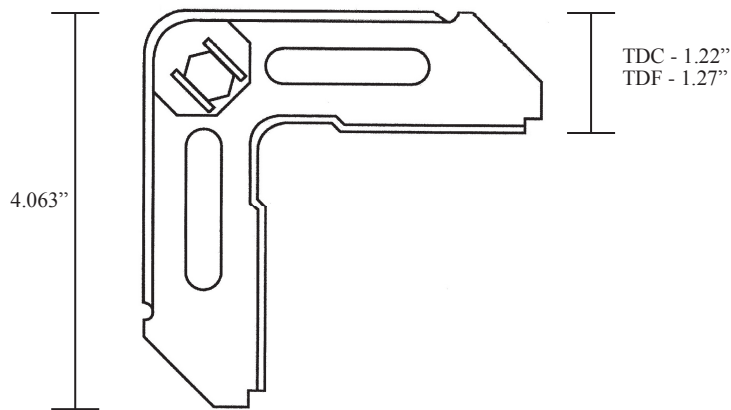
- Stamped from 16 gauge
- Designed for TDC ductwork
- Designed for 3/8" carriage bolt
- Available in galvanized, stainless and aluminum



### TDF II Corner

- Stamped from 16 gauge
- Designed for TDF ductwork
- Designed for 3/8" carriage bolt
- Available in galvanized, stainless and aluminum

## Profile



## Packaging

| Item Code | Item Description | Packaging   | Weight     |
|-----------|------------------|-------------|------------|
| LCMCGAMI  | TDC II Corner    | 250 pcs/box | 35 lbs/box |
| LCMFGAMI  | TDF II Corner    | 250 pcs/box | 35 lbs/box |