

# 3/8" Stand-off Options

## CONTACT

Office: 888.973.7600

1100 Ashwood Drive  
Suite 1102  
Canonsburg, PA 15317

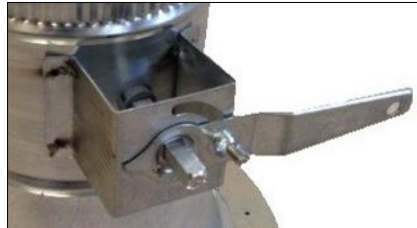
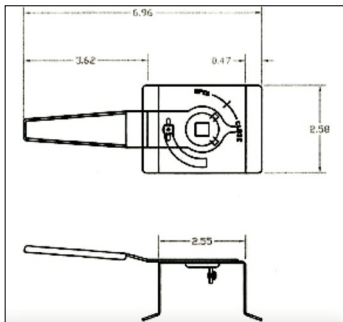
[www.clward.com](http://www.clward.com)

## Detail

Some CL WARD fittings are available with 3/8" continuous rod and hardware. Information on this hardware is below.

### Option - "DCS"

- Available in 1.5" and 2" galvanized steel
- Quadrant - 18 ga. galvanized
- Handle - 16 ga. galvanized
- Embossed Open to Close direction guide
- Forged steel wing nut
- 3/8" Bushing - PA66 Material
- Virtually zero leakage snap-in bearings



### Option - "DS38"

- Inscribed damper positioning guide from 0° to 90°
- 15 self-locking positions
- Handle orientation indicates true damper blade position
- Mechanical tightening/locking feature
- Anti-Vibration set screw

