

# Spin In Conical

## CONTACT

Office: 888.973.7600

1100 Ashwood Drive  
Suite 1102  
Canonsburg, PA 15317

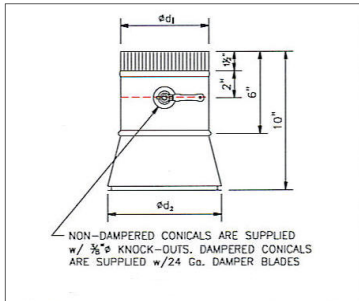
[www.clward.com](http://www.clward.com)

## Detail

- Galvanized Steel (ASTM A653 and A924)
- G-60 Galvanized Coating (ASTM A653 and ASTM 90)
- Available in Specialty Metals:
  - Aluminum (ASTM B209 Alloy 3003 Temper H14)
  - 304 Stainless Steel (ASTM A480 2B Finish)
- Pressure Rating: Designed per SMACNA Third Edition 2005 Section 4.8 Figure 4-6 Brand Connections
- Tested to meet SMACNA Leakage Class 3 requirements (Test performed on fittings with no damper)
- Seams and colatchsealed with zero VOC integral sealant
- Dimensional Tolerance:  $\pm 1/4"$
- Available with continuous rod and hardware



## Profile



Conical	Option	Riveted	Diameter	Material	Gauge	Option
CN	S15, S2 = 1.5" or 2" Stand off optoin	R	4" to 20"	GA - Galv. S4 - SS304 AL - AL	26,24 26 32	DS= Damper DCS= 3/8" Rod and Damper DS38 = 3/8" Rod, Sure Loc Handle

Item Code Example: CNS2R6GA26DS = Spin In Conical, 2" Stand-off, 6", Galv., 26 ga, w/Damper

## Packaging

Product Availability					
Size $\phi d_1$	Gauge Availability		Quantity		Dimension
	26 Ga.	24 Ga.	Carton	Skid	$\phi d_2$
4"	YES	-	10	300	5.75"
5"	YES	YES	10	300	6.75"
6"	YES	YES	20	240	7.75"
7"	YES	YES	20	240	8.75"
8"	YES	YES	20	96	9.75"
9"	YES	YES	10	96	10.75"
10"	YES	YES	8	96	11.75"
12"	YES	YES	8	96	13.75"
14"	YES	YES	5	50	15.75"
16"	-	YES	5	40	17.75"
18"	-	YES	5	40	19.75"
20"	-	YES	3	36	21.75"

Dampened fittings are available with 1.5" or 2" Stand-Off.