

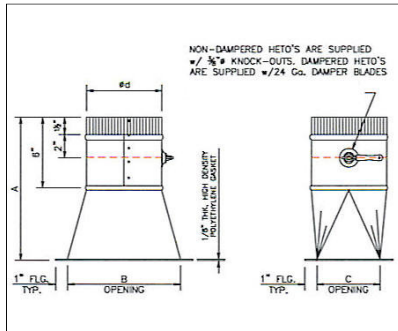
HETO - Center

Detail

- Galvanized Steel (ASTM A653 and A924)
- G-60 Galvanized Coating (ASTM A653 and ASTM 90)
- G-90 available upon request
- Tested to meet SMACNA Leakage Class 3 requirements (Test performed on fittings with no damper)
- Available in Specialty Metals:
 - Aluminum (ASTM B209 Alloy 3003 Temper H14)
 - 304 Stainless Steel (ASTM A480 2B Finish)
- Pressure Rating: -1" w.g. - +2" w.g.
- Dimensional Tolerance: $\pm 1/4"$
- Non-damper HETO's supplied with 3/8" knock-out
- Seams and co-latch are sealed with integral sealant
- Available with 3/8" continuous rod and hardware



Profile



Center HETO	Option	Diameter	Material	Gauge	Option	Option	G 90
HTC	S15, S2 = 1.5" or 2" Stand off option	4 to 20	GA - Galv. S4 - SS304 AL - AL	26,24 26 32	DS= Damper DCS= 3/8" Rod and Damper	38 = Rossi Hardware	90

Item Code Example: HTCS26GA26DS = Center HETO, 2" Stand-off, 6", Galv., 26 ga, w/Damper

Packaging

Size	Product Availability						
	Gauge Availability		Quantity		Dimension		
	26 Ga.	24 Ga.	Layer	Skid	A	B	C
4"	YES	-	35	168	10.5"	7"	4"
5"	YES	YES	24	144	10.5"	9"	5"
6"	YES	YES	30	144	11.5"	9"	5"
7"	YES	YES	18	100	11.5"	11"	5"
8"	YES	YES	20	100	11.5"	12"	6"
9"	YES	YES	20	100	11.5"	13"	7"
10"	YES	YES	12	60	11.5"	14"	8"
12"	YES	YES	9	45	11.5"	16"	10"
14"	YES	YES	6	30	12"	18"	12"
16"	YES	YES	4	20	13"	20"	14"
18"	YES	YES	4	20	13"	22"	16"
20"	YES	YES	4	20	13"	24"	18"

Dampered fittings are available with 1.5" or 2" Stand-Off.

CONTACT

Office: 888.973.7600

1100 Ashwood Drive
Suite 1102
Canonsburg, PA 15317

www.clward.com