

# Strap Buckle

## CONTACT

Office: 888.973.7600

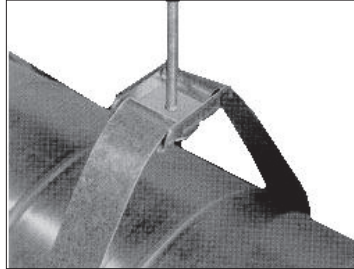
1100 Ashwood Drive  
Suite 1102  
Canonsburg, PA 15317

[www.clward.com](http://www.clward.com)

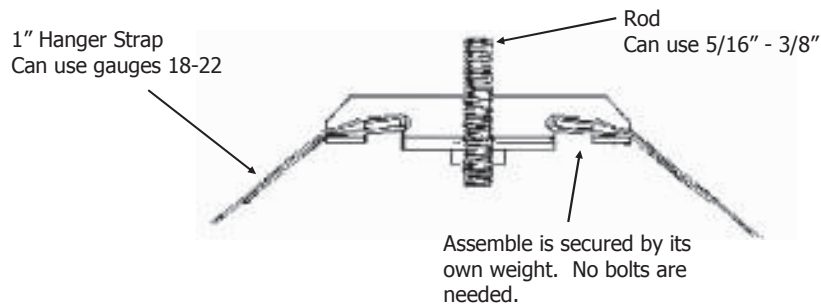
## Detail

Economical and quick hanging system for round duct work. Works great for exposed installations.

- No tools required
- Made from galvanized steel
- Provides a suspension point for a hanger rod
- Accommodates 5/16" through 3/8" hanger rod
- Accommodates 1" x 18 GA through 22 GA strapping
- Load rating of 660 lbs.
- Meets SMACNA standards for use on ducts up through 36" round when installed at maximum of 12' spacing



## Profile



## Packaging

Item Code	Item Description	Packaging	Weight
LSBGA	Strap Buckle	200 pcs/box	27.50 lbs/box