

CRD - 50 Series With Boot

Detail

- Series 50 CRD's are available installed in 90° (L), Straight or End Boots. (Mounting Flange or Non-Mounting Flange)
- UL Classified - For use in UL 263 wood truss floor/ceiling and roof/ceiling assemblies rated 1 hour
- UL approved for use in L-587 and L-528 floor/ceiling as well as P-556 and P-533 roof/ceiling assemblies
- Incorporates UL 555C evaluated CRD
- 22 gauge one piece frame, 28 gauge boot
- 165°F fusible link (optional 212°F)
- Standard link (SL) or Easy Access (EA) option
- Ceramic thermal blanket provided on units with blade areas of greater than 84 sq. in.
- Available in a range of sizes from 4" x 6" x 4" to 14" x 14" x 10"



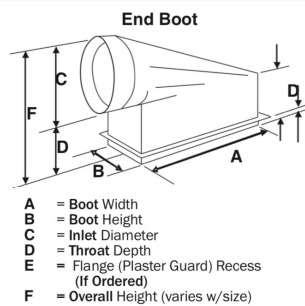
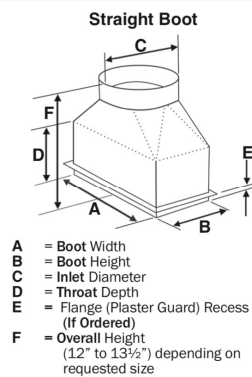
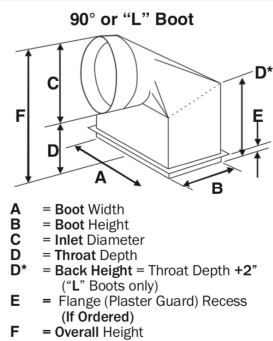
CONTACT

Office: 888.973.7600

1100 Ashwood Drive
Suite 1102
Canonsburg, PA 15317

www.clward.com

Profile



This product meets the requirements for ceiling dampers established by:

UL Standards 263 & 555C
NFPA Standard 90A
ICC Building Codes

Item Code Format

5	0	E	A	1	2	0	6	G	0	6	L	6	F
---	---	---	---	---	---	---	---	---	---	---	---	---	---

SERIES: CRD 50	LINK: EA = Easy Access Link	Damper Width	Damper Height	G = Galvanized 165° Link H = Galvanized 212° Link S = Stainless Steel 165° Link T = Stainless Steel 212° Link	Collar Diameter	Boot Type L = 90° (L) Boot S = Straight Boot E = End Boot	Throat Depth 6 = 6" 8 = 8"	Flange F = 5/8" Flange F1 = 1" Flange N = No Flange
----------------------	--------------------------------	--------------	---------------	--	-----------------	--	-------------------------------------	--



Manufactured by:



Job Name	
Location	
Architect	
Engineer	
Contractor	