

# Fire Damper - 75 Series, Type B

## Detail

- UL Classified - 1.5 Hour Rating, Static
- For use in installations rated less than 3 hours
- Standard Profile (4 1/4") 22 gauge frame
- Type B - Blades out of the air stream
- Available for vertical and horizontal installations
- 165°F fusible link (optional 212°F)
- Available in stainless steel
- Vertical dampers are available in single-section sizes from 4" x 3" to 60" x 53", multi section sizes to 120" x 120"
- Horizontal dampers are available in single-section sizes from 4" x 4" to 40" x 60", multiple sizes 120" x 53"
- Optional 22 gauge sleeve available: 8", 12", 17", 20" or 24"



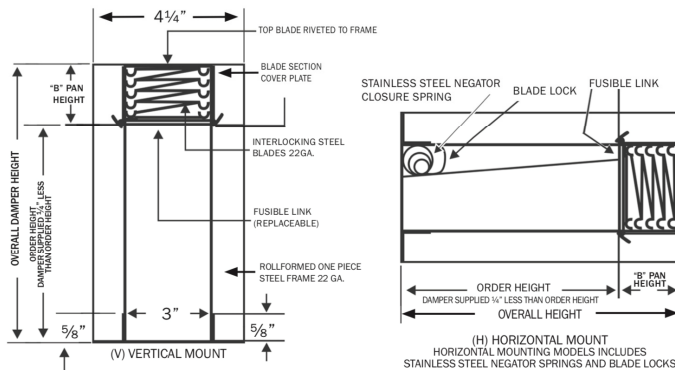
## CONTACT

Office: 888.973.7600

1100 Ashwood Drive  
Suite 1102  
Canonsburg, PA 15317

[www.clward.com](http://www.clward.com)

## Profile



This product meets the requirements for fire dampers established by:

**UL Standards 555**  
**NFPA Standard 90A**  
**ICC Building Codes**

## Item Code Format

7	5	B	H	0	1	2	0	1	2	G	2	2	1	2
---	---	---	---	---	---	---	---	---	---	---	---	---	---	---

**SERIES:**

Fire Damper  
75, 65, 05, 95, 77, 99, 61

**TYPE:**

Fire Damper  
A, B, C (round),  
R (rectangular), O (oval)  
  
H = Horizontal  
V = Vertical

**Damper Width**

**Damper Height**

G = Galvanized  
165° Link  
H = Galvanized  
212° Link  
S = Stainless Steel  
165° Link  
T = Stainless Steel  
212° Link

**Optional Sleeve**

22 = 22 Gauge

**Sleeve Length**

08 = 8"  
12 = 12"  
17 = 17"  
20 = 20"  
24 = 24"



Manufactured by:



Job Name	
Location	
Architect	
Engineer	
Contractor	