

Mission Statement

To continue to position ourselves as the sought after supplier of sheet metal accessory products to the HVAC construction industry by providing superior customer service and quality products through innovation.

TABLE OF CONTENTS

Snap Lock Pipe	Page 2
Reeves Lock Pipe	Page 3
Adjustable Elbow 90's	Page 4
Adjustable Elbow 45's	Page 5
HETO Tapered	Page 6
HETO Straight Sided	Page 7
HETO Center	Page 8
6" Press-On Collar	Page 9
6" Press-On Flex Collar	Page 10
6" Spin-In Collar	Page 11
6" Tabbed Collar	Page 12
3" Spin-In Collar	Page 13
3" Tabbed Collar	Page 14
Press-On Conical	Page 15
Spin-In Conical	Page 16
8" Coupler	Page 17
6" Coupler	Page 18
Damper Section	Page 19
Free Flowing Tee	Page 20
90 Tee Joint	Page 21
Reducers	Page 22
End Cap	Page 23
Saddle Tap	Page 24
Stand-off Kits	Page 25
3/8" Stand-off	Page 26

CLWARD
& FAMILY, INC.

Snap Lock Pipe (Button Lock)

CONTACT

Office: 888.973.7600

1100 Ashwood Drive
Suite 1102
Canonsburg, PA 15317

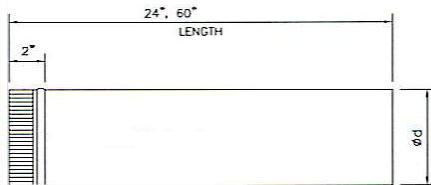
www.clward.com

Detail

- Galvanized Steel (ASTM A653 and A924)
- G-60 Galvanized Coating (ASTM A653 and ASTM 90)
- G-90 available upon request
- Available in Specialty Metals:
 - .025 Aluminum (ASTM B209 Alloy 3003 Temper H14)
 - 304 Stainless Steel (ASTM A480 2B Finish)
- Aluminum and Stainless Steel are 48" Lengths
- Pressure Rating: -1" w.g. - +2" w.g.
- SPB - Button Lock Pipe meets SMACNA RL-8
- Dimensional Tolerance: $\pm 1/4"$
- Consult factory for 120" pieces



Profile



Pipe Length	Snap Pipe	Button Lock	Pipe Diameter	Material	Gauge	G90
24,60 48 - SS and AL only	SP	B	4" to 14"	GA - Galv. S4 - SS 304 AL - Alum.	28,26,24 26 25	90

Item Code Example: 60SPB6GA26 = 60" Snap Lock Pipe, Button Lock, 6", Galv., 26 ga.

Packaging

Gauge & Lock Availability - 24" lengths					
Size	Gauge			Quantity	
	28	26	24	Bundle	Skid/Rack
4"	YES	YES	-	10	720
5"	YES	YES	YES	10	490
6"	YES	YES	YES	10	360
7"	YES	YES	YES	10	220
8"	YES	YES	YES	10	160
9"	YES	YES	YES	10	140
10"	YES	YES	YES	10	120
12"	YES	YES	YES	10	90
14"	-	YES	YES	10	70

Gauge & Lock Availability - 60" lengths					
Size	Gauge			Quantity	
	28	26	24	Bundle	Skid/Rack
4"	YES	YES	YES	5	355
5"	YES	YES	YES	5	245
6"	YES	YES	YES	5	150
7"	YES	YES	YES	5	100
8"	YES	YES	YES	5	100
9"	YES	YES	YES	5	80
10"	YES	YES	YES	5	60
12"	YES	YES	YES	5	45
14"	-	YES	YES	5	30

Snap Lock Pipe (Reeves Lock)

CONTACT

Office: 888.973.7600

1100 Ashwood Drive
Suite 1102
Canonsburg, PA 15317

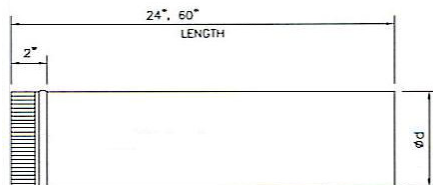
www.clward.com

Detail

- Galvanized Steel (ASTM A653 and A924)
- G-60 Galvanized Coating (ASTM A653 and ASTM 90)
- G-90 available up request
- Available in Specialty Metals:
 - .032 Aluminum (ASTM B209 Alloy 3003 Temper H14)
 - 304 Stainless Steel (ASTM A480 2B Finish)
- Aluminum and Stainless Steel are 48" Lengths
- Pressure Rating: -1" w.g. - +2" w.g.
- SPR - Reeves Lock Pipe meets SMACNA RL-6A&B
- Dimensional Tolerance: $\pm 1/4"$



Profile



Pipe Length	Snap Pipe	Reeves Lock	Pipe Diameter	Material	Gauge	G 90
24,60	SP	R	16" to 24"	GA - Galv.	24	90

Item Code Example: 60SPR18GA24 = 60" Snap Lock Pipe, Reeves Lock, 18", Galv., 24 ga.

Packaging

Reeves Lock Snap Pipe Availability - 24"			
Size	Quantity		
	Reeves Lock	Bundle	Skid/Rack
16"	YES	10	60
18"	YES	10	50
20"	YES	10	50
22"	**	**	**
24"	**	**	**

Reeves Lock Snap Pipe Availability - 60"			
Size	Quantity		
	Reeves Lock	Bundle	Skid/Rack
16"	YES	5	25
18"	YES	5	20
20"	YES	5	20
22"	**	**	**
24"	**	**	**

** - Consult Factory

Adjustable Elbow - 90°

CONTACT

Office: 888.973.7600

1100 Ashwood Drive
Suite 1102
Canonsburg, PA 15317

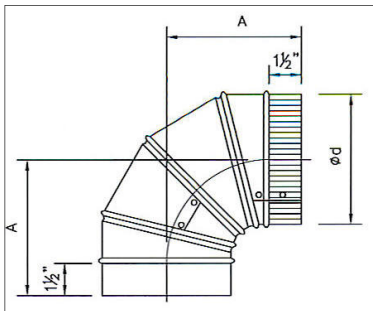
www.clward.com

Detail

- Galvanized Steel (ASTM A653 and A924)
- G-60 Galvanized Coating (ASTM A653 and ASTM 90)
- G-90 available upon request
- Available in Specialty Metals:
 - Aluminum (ASTM B209 Alloy 3003 Temper H14)
 - 304 Stainless Steel (ASTM A480 2B Finish)
- Pressure Rating: -1" w.g. - +2" w.g.
- Dimensional Tolerance: $\pm 1/4"$



Profile



Adjustable Elbow	Option	Diameter	Style	Material	Gauge	G 90
AE	C = Crimp on both ends	3 to 24	90	GA - Galv. S4 - SS304 AL - AL 32	26,24 26 32	90

Item Code Example: AE690GA26 = Adjustable Elbow, 6", 90 Degree, Galv., 26 ga.

Packaging

Size ød1	Product Availability				
	Gauge Availability		Quantity		Dimension
	26 Ga.	24 Ga.	Bundle	Skid	A
3"	YES	-	12	720	4.5"
4"	YES	YES	12	576	6"
5"	YES	YES	12	432	7.5"
6"	YES	YES	12	216	9"
7"	YES	YES	12	144	10.5"
8"	YES	YES	12	144	12"
9"	YES	YES	12	96	9"
10"	YES	YES	12	96	10"
12"	YES	YES	12	96	12"
14"	YES	YES	8	80	14"
16"	-	YES	8	64	16"
18"	-	YES	4	16	18"
20"	-	YES	4	12	20"
22"	-	**	4	12	**
24"	-	**	4	12	**

Adjustable Elbow - 45°

CONTACT

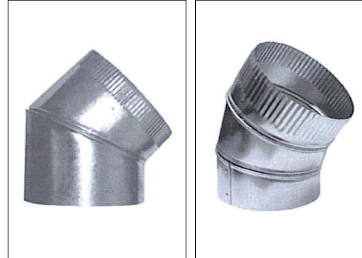
Office: 888.973.7600

1100 Ashwood Drive
Suite 1102
Canonsburg, PA 15317

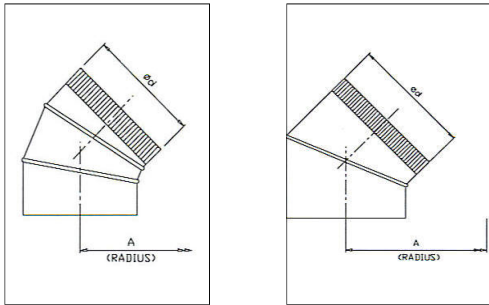
www.clward.com

Detail

- Galvanized Steel (ASTM A653 and A924)
- G-60 Galvanized Coating (ASTM A653 and ASTM 90)
- G-90 available upon request
- Available in Specialty Metals:
 - Aluminum (ASTM B209 Alloy 3003 Temper H14)
 - 304 Stainless Steel (ASTM A480 2B Finish)
- Pressure Rating: -1" w.g. - +2" w.g.
- Dimensional Tolerance: $\pm 1/4"$



Profile



Adjustable Elbow	Option	Diameter	Style	Material	Gauge	G 90
AE	C = Crimp on both ends	4 to 24	45	GA - Galv. S4 - SS304 AL - AL 32	26,24 26 32	90

Item Code Example: AE645GA26 = Adjustable Elbow, 6", 45 Degree, Galv., 26 ga.

Packaging

Product Availability						
Size ϕ 1	Gauge Availability		Quantity		Dimension	
	26 Ga.	24 Ga.	Bundle	Skid	A	
3 Piece Elbow	3"	YES	-	24	1480	4.5"
	4"	YES	YES	24	1152	6"
	5"	YES	YES	24	864	7.5"
	6"	YES	YES	24	432	9"
	7"	YES	YES	24	288	10.5"
	8"	YES	YES	24	192	12"
2 Piece Elbow	9"	YES	YES	24	192	9"
	10"	YES	YES	24	160	10"
	12"	YES	YES	24	128	12"
	14"	YES	YES	16	32	14"
	16"	-	YES	16	24	16"
	18"	-	YES	8	24	18"
	20"	-	YES	8	24	20"
	22"	-	-	8	24	22"
24"	-	-	8	24	24"	



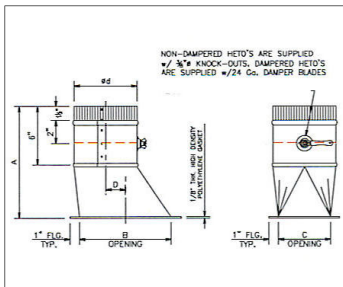
HETO - Tapered

Detail

- Galvanized Steel (ASTM A653 and A924)
- G-60 Galvanized Coating (ASTM A653 and ASTM 90)
- G-90 available upon request
- Tested to meet SMACNA Leakage Class 3 requirements (Test performed on fittings with no damper)
- Available in Specialty Metals:
 - Aluminum (ASTM B209 Alloy 3003 Temper H14)
 - 304 Stainless Steel (ASTM A480 2B Finish)
- Pressure Rating: -1" w.g. - +2" w.g.
- Dimensional Tolerance: $\pm 1/4"$
- Non-damper HETO's supplied with 3/8" knock-out
- Seams and co-latch are sealed with integral sealant
- Available with 3/8" continuous rod and hardware



Profile



Straight Sided HETO	Option	Diameter	Material	Gauge	Option	G 90
HT	S15, S2 = 1.5" or 2" Stand off option	4 to 20	GA - Galv. S4 - SS304 AL - AL	26,24 26 32	DS = Damper DCS = 3/8" Rod and Damper DS38 = 3/8" Rod, Sure Loc Handle	90

Item Code Example: HTS26GA26DS = Straight HETO, 2" Stand-off, 6", Galv., 26 ga, w/Damper

Packaging

Size	Product Availability							
	Gauge Availability		Quantity		Dimension			
	26 Ga.	24 Ga.	Layer	Skid	A	B	C	D
4"	YES	-	35	210	10.5"	7"	4"	1.5"
5"	YES	YES	30	180	10.5"	9"	5"	2.5"
6"	YES	YES	30	180	10.5"	9"	5"	2"
7"	YES	YES	18	120	10.5"	11"	5"	2.5"
8"	YES	YES	20	120	11.5"	12"	6"	2.5"
9"	YES	YES	20	120	11.5"	13"	7"	2.5"
10"	YES	YES	12	72	11.5"	14"	8"	2.5"
12"	YES	YES	9	54	11.5"	16"	10"	3"
14"	YES	YES	6	36	12"	18"	12"	3"
16"	YES	YES	4	24	13"	20"	14"	3"
18"	YES	YES	4	24	13"	22"	16"	3"
20"	YES	YES	4	24	13"	24"	18"	3"

Dampened fittings are available with 1.5" or 2" Stand-Off.

CONTACT

Office: 888.973.7600

1100 Ashwood Drive
Suite 1102
Canonsburg, PA 15317

www.clward.com

HETO - Straight Sided

Detail

- Galvanized Steel (ASTM A653 and A924)
- G-60 Galvanized Coating (ASTM A653 and ASTM 90)
- G-90 available upon request
- Tested to meet SMACNA Leakage Class 3 requirements (Test performed on fittings with no damper)
- Available in Specialty Metals:
Aluminum (ASTM B209 Alloy 3003 Temper H14)
304 Stainless Steel (ASTM A480 2B Finish)
- Pressure Rating: -1" w.g. - +2" w.g.
- Dimensional Tolerance: $\pm 1/4"$
- Non-damper HETO's supplied with 3/8" knock-out
- Seams and co-latch are sealed with integral sealant
- Available with 3/8" continuous rod and hardware



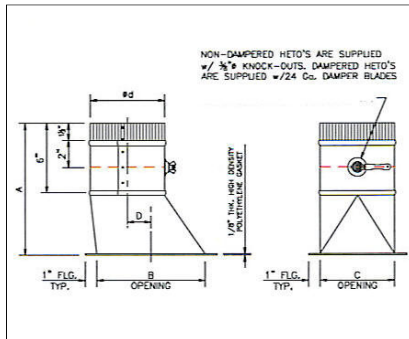
CONTACT

Office: 888.973.7600

1100 Ashwood Drive
Suite 1102
Canonsburg, PA 15317

www.clward.com

Profile



Straight Sided HETO	Option	Diameter	Material	Gauge	Option	G 90
SHT	S15, S2 = 1.5" or 2" Stand off option	4 to 20	GA - Galv. S4 - SS304 AL - AL	26,24 26 32	DS = Damper DCS = 3/8" Rod and Damper DS38 = 3/8" Rod, Sure Loc Handle	90

Item Code Example: SHTS26GA26DS = Straight HETO, 2" Stand-off, 6", Galv., 26 ga, w/Damper

Packaging

Product Availability								
Size	Gauge Availability		Quantity		Dimension			
	26 Ga.	24 Ga.	Layer	Skid	A	B	C	D
4"	YES	-	42	168	10.5"	7"	4"	1.5"
5"	YES	YES	36	144	10.5"	8"	5"	2.5"
6"	YES	YES	36	144	10.5"	9"	6"	2"
7"	YES	YES	20	100	7"	10"	7"	2.5"
8"	YES	YES	20	100	11.5"	11"	8"	2.5"
9"	YES	YES	20	100	11.5"	12"	9"	2.5"
10"	YES	YES	12	60	11.5"	12"	10"	2.5"
12"	YES	YES	9	45	11.5"	14"	12"	3"
14"	YES	YES	6	30	12"	16"	14"	3"
16"	YES	YES	4	20	13"	18"	16"	3"
18"	YES	YES	4	20	13"	20"	18"	3"
20"	YES	YES	4	20	14"	22"	20"	3"

Dampened fittings are available with 1.5" or 2" Stand-Off.



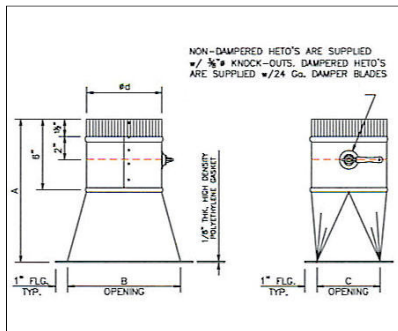
HETO - Center

Detail

- Galvanized Steel (ASTM A653 and A924)
- G-60 Galvanized Coating (ASTM A653 and ASTM 90)
- G-90 available upon request
- Tested to meet SMACNA Leakage Class 3 requirements (Test performed on fittings with no damper)
- Available in Specialty Metals:
 - Aluminum (ASTM B209 Alloy 3003 Temper H14)
 - 304 Stainless Steel (ASTM A480 2B Finish)
- Pressure Rating: -1" w.g. - +2" w.g.
- Dimensional Tolerance: $\pm 1/4"$
- Non-damper HETO's supplied with 3/8" knock-out
- Seams and co-latch are sealed with integral sealant
- Available with 3/8" continuous rod and hardware



Profile



Center HETO	Option	Diameter	Material	Gauge	Option	G 90
HTC	S15, S2 = 1.5" or 2" Stand off option	4 to 20	GA - Galv. S4 - SS304 AL - AL	26,24 26 32	DS = Damper DCS = 3/8" Rod and Damper DS38 = 3/8" Rod, Sure Loc Handle	90

Item Code Example: HTCS26GA26DS = Center HETO, 2" Stand-off, 6", Galv., 26 ga, w/Damper

Packaging

Size	Product Availability						
	Gauge Availability		Quantity		Dimension		
	26 Ga.	24 Ga.	Layer	Skid	A	B	C
4"	YES	-	35	168	10.5"	7"	4"
5"	YES	YES	24	144	10.5"	9"	5"
6"	YES	YES	30	144	11.5"	9"	5"
7"	YES	YES	18	100	11.5"	11"	5"
8"	YES	YES	20	100	11.5"	12"	6"
9"	YES	YES	20	100	11.5"	13"	7"
10"	YES	YES	12	60	11.5"	14"	8"
12"	YES	YES	9	45	11.5"	16"	10"
14"	YES	YES	6	30	12"	18"	12"
16"	YES	YES	4	20	13"	20"	14"
18"	YES	YES	4	20	13"	22"	16"
20"	YES	YES	4	20	13"	24"	18"

Dampened fittings are available with 1.5" or 2" Stand-Off.

CONTACT

Office: 888.973.7600

1100 Ashwood Drive
Suite 1102
Canonsburg, PA 15317

www.clward.com

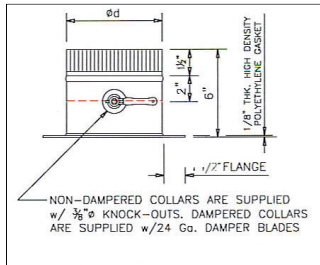
6" Press On Collar

Detail

- Galvanized Steel (ASTM A653 and A924)
- G-60 Galvanized Coating (ASTM A653 and ASTM 90)
- G-90 available upon request
- Available in Specialty Metals:
 - Aluminum (ASTM B209 Alloy 3003 Temper H14)
 - 304 Stainless Steel (ASTM A480 2B Finish)
- Pressure Rating: Designed per SMACNA Third Edition 2005 Section 4.8 Figure 4-6 Brand Connections
- Tested to meet SMACNA Leakage Class 3 requirements (Test performed on fittings with no damper)
- 4" and 5" Round - 7/8" Flange 6" and up 1" Flange
- Seams sealed with zero VOC integral sealant
- Available with scoop
- Dimensional Tolerance: $\pm 1/4"$
- Available with 3/8" continuous rod and hardware



Profile



Scoop	6" Press On Collar	Option	Crimped	Riveted	Diameter	Material	Gauge	Option	G 90
S	6PO	S15, S2 = 1.5" or 2" Stand off	C	R	4" to 20"	GA - Galv. S4 - SS304 AL - AL	26,24 26 32	DS = Damper DCS = 3/8" Rod and Damper DS38 = 3/8" Rod, Sure Loc Handle	90

Item Code Example: 6POCS2CR6GA26DS = 6" Press On, 2" Stand-off, 6", Galv., 26 ga, w/Damper

Packaging

Size ød	Product Availability			
	Gauge Availability		Quantity	
	26 Ga.	24 Ga.	Carton	Skid
4"	YES	-	25	300
5"	YES	YES	25	300
6"	YES	YES	20	240
7"	YES	YES	20	240
8"	YES	YES	20	240
9"	YES	YES	10	120
10"	YES	YES	10	120
12"	YES	YES	10	120
14"	YES	YES	5	60
16"	YES	YES	5	60
18"	YES	YES	5	60
20"	YES	YES	2	24

Dampered fittings are available with 1.5" or 2" Stand-Off.

CONTACT

Office: 888.973.7600

1100 Ashwood Drive
Suite 1102
Canonsburg, PA 15317

www.clward.com

6" Press On Flex Collar

Detail

- Galvanized Steel (ASTM A653 and A924)
- G-60 Galvanized Coating (ASTM A653 and ASTM 90)
- G-90 available upon request
- Available in Specialty Metals:
 - Aluminum (ASTM B209 Alloy 3003 Temper H14)
 - 304 Stainless Steel (ASTM A480 2B Finish)
- Pressure Rating: Designed per SMACNA Third Edition 2005 Section 4.8 Figure 4-6 Brand Connections
- Tested to meet SMACNA Leakage Class 3 requirements (Test performed on fittings with no damper)
- 4" and 5" Round - 7/8" Flange 6" and up 1" Flange
- Seams sealed with zero VOC integral sealant
- Dimensional Tolerance: $\pm 1/4"$
- Available with 3/8" continuous rod and hardware



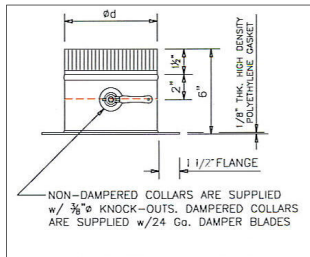
CONTACT

Office: 888.973.7600

1100 Ashwood Drive
Suite 1102
Canonsburg, PA 15317

www.clward.com

Profile



Actual diameter is $-1/8"$ to allow for flex duct connection.



Scoop	6" Press On Collar	Option	Flex	Crimped	Diameter	Material	Gauge	Option	G 90
S	6PO	S15, S2 = 1.5" or 2" Stand off	F	C	4" to 20"	GA - Galv. S4 - SS304 AL - AL	26,24 26 32	DS= Damper DCS= 3/8" Rod and Damper DS38 = 3/8" Rod, Sure Loc Handle	90

Item Code Example: 6POS2CR6GA26DS = 6" Press On, 2" Stand-off, 6", Galv., 26 ga, w/Damper

Packaging

Size ød	Product Availability			
	Gauge Availability		Quantity	
	26 Ga.	24 Ga.	Carton	Skid
4"	YES	-	25	300
5"	YES	YES	25	300
6"	YES	YES	20	240
7"	YES	YES	20	240
8"	YES	YES	20	240
9"	YES	YES	10	120
10"	YES	YES	10	120
12"	YES	YES	10	120
14"	YES	YES	5	60
16"	YES	YES	5	60
18"	YES	YES	5	60
20"	YES	YES	2	24

Dampened fittings are available with 1.5" or 2" Stand-Off.

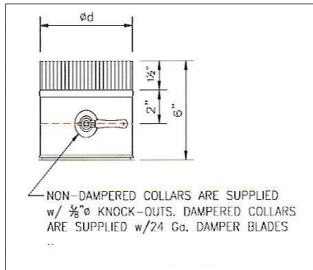
6" Spin In Collar

Detail

- Galvanized Steel (ASTM A653 and A924)
- G-60 Galvanized Coating (ASTM A653 and ASTM 90)
- G-90 available up request
- Available in Specialty Metals:
 - Aluminum (ASTM B209 Alloy 3003 Temper H14)
 - 304 Stainless Steel (ASTM A480 2B Finish)
- Pressure Rating: Designed per SMACNA Third Edition 2005 Section 4.8 Figure 4-6 Brand Connections
- Tested to meet SMACNA Leakage Class 3 requirements (Test performed on fittings with no damper)
- Seams sealed with zero VOC integral sealant
- Available with scoop
- Dimensional Tolerance: $\pm 1/4"$
- Available with 3/8" continuous rod and hardware



Profile



Scoop	6" Spin In	Option	Crimped	Riveted	Diameter	Material	Gauge	Option	G 90
S (Option)	6SI	S15, S2 = 1.5" or 2" Stand off option	C	R	4" to 20"	GA - Galv. S4 - SS304 AL - AL	26,24 26 32	DS = Damper DCS = 3/8" Rod and Damper DS38 = 3/8" Rod, Sure Loc Handle	90

Item Code Example: 6SIS2CR6GA26DS = 6" Spin In Collar, 2" Stand-off, 6", Galv., 26 ga, w/Damper

Packaging

Size ød	Product Availability			
	Gauge Availability		Quantity	
	26 Ga.	24 Ga.	Carton	Skid
4"	YES	-	30	360
5"	YES	YES	30	360
6"	YES	YES	20	240
7"	YES	YES	20	240
8"	YES	YES	20	240
9"	YES	YES	20	120
10"	YES	YES	20	120
12"	YES	YES	10	120
14"	YES	YES	5	120
16"	YES	YES	5	60
18"	YES	YES	5	60
20"	YES	YES	5	60

Dampened fittings are available with 1.5" or 2" Stand-Off.

CONTACT

Office: 888.973.7600

1100 Ashwood Drive
Suite 1102
Canonsburg, PA 15317

www.clward.com

6" Tabbed Collar

CONTACT

Office: 888.973.7600

1100 Ashwood Drive
Suite 1102
Canonsburg, PA 15317

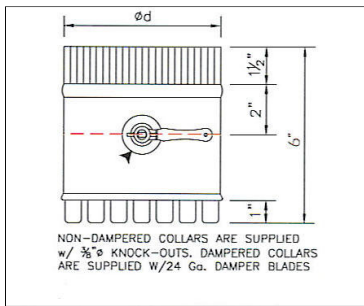
www.clward.com

Detail

- Galvanized Steel (ASTM A653 and A924)
- G-60 Galvanized Coating (ASTM A653 and ASTM 90)
- Available in Specialty Metals:
 - Aluminum (ASTM B209 Alloy 3003 Temper H14)
 - 304 Stainless Steel (ASTM A480 2B Finish)
- Pressure Rating: Designed per SMACNA Third Edition 2005 Section 4.8 Figure 4-6 Brand Connections
- Tested to meet SMACNA Leakage Class 3 requirements (Test performed on fittings with no damper)
- Seams sealed with zero VOC integral sealant
- Dimensional Tolerance: $\pm 1/4"$
- Available with 3/8" continuous rod and hardware



Profile



6" Tabbed-Collar	Option	Crimped	Riveted	Diameter	Material	Gauge	Option
6SC	S15, S2 = 1.5" or 2" Stand off option	C	R	4" to 20"	GA - Galv. S4 - SS304 AL - AL	26,24 26 32	DS= Damper DCS= 3/8" Rod and Damper DS38 = 3/8" Rod, Sure Loc Handle

Item Code Example: 6SCS2CR6GA26DS = 6" Tabbed Collar, 2" Stand-off, 6", Galv., 26 ga, w/Damper

Packaging

Size ød	Product Availability			
	Gauge Availability		Quantity	
	26 Ga.	24 Ga.	Carton	Skid
4"	YES	-	30	360
5"	YES	YES	30	360
6"	YES	YES	20	240
7"	YES	YES	20	240
8"	YES	YES	20	240
9"	YES	YES	20	120
10"	YES	YES	20	120
12"	YES	YES	10	120
14"	YES	YES	5	120
16"	YES	YES	5	60
18"	YES	YES	5	60
20"	YES	YES	5	24

Dampered fittings are available with 1.5" or 2" Stand-Off.

3" Spin In Collar

CONTACT

Office: 888.973.7600

1100 Ashwood Drive
Suite 1102
Canonsburg, PA 15317

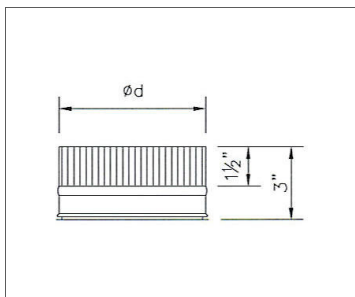
www.clward.com

Detail

- Galvanized Steel (ASTM A653 and A924)
- G-60 Galvanized Coating (ASTM A653 and ASTM 90)
- Available in Specialty Metals:
 - Aluminum (ASTM B209 Alloy 3003 Temper H14)
 - 304 Stainless Steel (ASTM A480 2B Finish)
- Pressure Rating: Designed per SMACNA Third Edition 2005 Section 4.8 Figure 4-6 Brand Connections
- Tested to meet SMACNA Leakage Class 3 requirements (Test performed on fittings with no damper)
- Seams sealed with zero VOC integral sealant
- Dimensional Tolerance: $\pm 1/4"$



Profile



3" Spin In	Crimped	Riveted	Diameter	Material	Gauge
3SI	C	R	4" to 20"	GA - Galv. S4 - SS304 AL - AL	26,24 26 32

Item Code Example: 3SICR6GA26 = 3" Spin In Collar, 6", Galv., 26 ga,

Packaging

Size ϕd	Product Availability			
	Gauge Availability		Quantity	
	26 Ga.	24 Ga.	Carton	Skid
4"	YES	-	30	780
5"	YES	YES	30	780
6"	YES	YES	20	600
7"	YES	YES	20	480
8"	YES	YES	20	480
9"	YES	YES	20	480
10"	YES	YES	20	480
12"	YES	YES	10	240
14"	YES	YES	5	120
16"	YES	YES	5	120
18"	YES	YES	5	120
20"	YES	YES	5	120

3" Tabbed Collar

CONTACT

Office: 888.973.7600

1100 Ashwood Drive
Suite 1102
Canonsburg, PA 15317

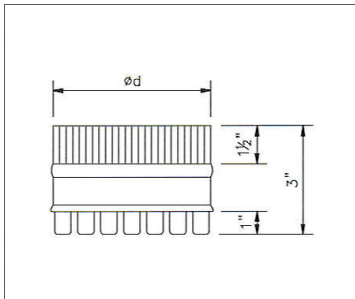
www.clward.com

Detail

- Galvanized Steel (ASTM A653 and A924)
- G-60 Galvanized Coating (ASTM A653 and ASTM 90)
- Available in Specialty Metals:
 - Aluminum (ASTM B209 Alloy 3003 Temper H14)
 - 304 Stainless Steel (ASTM A480 2B Finish)
- Pressure Rating: Designed per SMACNA Third Edition 2005 Section 4.8 Figure 4-6 Brand Connections
- Tested to meet SMACNA Leakage Class 3 requirements (Test performed on fittings with no damper)
- Seams sealed with zero VOC integral sealant
- Dimensional Tolerance: $\pm 1/4"$



Profile



3" Tabbed	Crimped	Riveted	Diameter	Material	Gauge
3SC	C	R	4" to 20"	GA - Galv. S4 - SS304 AL - AL	26,24 26 32

Item Code Example: 3SICR6GA26 = 3" Tabbed Collar, 6", Galv., 26 ga,

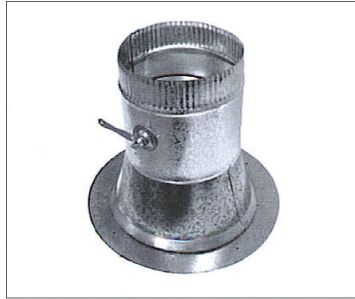
Packaging

Size ød	Product Availability			
	Gauge Availability		Quantity	
	26 Ga.	24 Ga.	Carton	Skid
4"	YES	-	30	780
5"	YES	YES	30	780
6"	YES	YES	20	600
7"	YES	YES	20	480
8"	YES	YES	20	480
9"	YES	YES	20	480
10"	YES	YES	20	480
12"	YES	YES	10	240
14"	YES	YES	5	120
16"	YES	YES	5	120
18"	YES	YES	5	120
20"	YES	YES	5	120

Press On Conical

Detail

- Galvanized Steel (ASTM A653 and A924)
- G-60 Galvanized Coating (ASTM A653 and ASTM 90)
- G-90 available upon request
- Available in Specialty Metals:
 - Aluminum (ASTM B209 Alloy 3003 Temper H14)
 - 304 Stainless Steel (ASTM A480 2B Finish)
- Pressure Rating: Designed per SMACNA Third Edition 2005 Section 4.8 Figure 4-6 Brand Connections
- Tested to meet SMACNA Leakage Class 3 requirements (Test performed on fittings with no damper)
- Seams and colatch sealed with zero VOC integral sealant
- Dimensional Tolerance: $\pm 1/4"$
- Available with 3/8" continuous rod and hardware



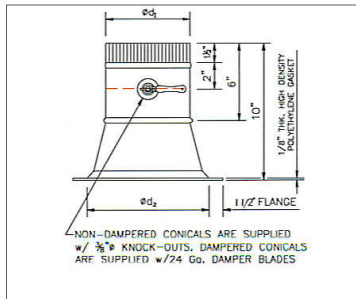
CONTACT

Office: 888.973.7600

1100 Ashwood Drive
Suite 1102
Canonsburg, PA 15317

www.clward.com

Profile



Conical	Option	Press On	Riveted	Diameter	Material	Gauge	G 90	Option
CN	S15, S2 = 1.5" or 2" Stand off option	P	R	4" to 20"	GA - Galv. S4 - SS304 AL - AL	26,24 26 32	90	DS= Damper DCS= 3/8" Rod, Damper DS38 = 3/8" Rod, Sure Loc Handle

Item Code Example: CNS2PR6GA26DS = Press On Conical, 2" Stand-off, 6", Galv., 26 ga, w/Damper

Packaging

Product Availability					
Size ød1	Gauge Availability		Quantity		Dimension ød2
	26 Ga.	24 Ga.	Carton	Skid	
4"	YES	-	20	200	5.75"
5"	YES	YES	20	200	6.75"
6"	YES	YES	20	160	7.75"
7"	YES	YES	8	112	8.75"
8"	YES	YES	8	112	9.75"
9"	YES	YES	8	112	10.75"
10"	YES	YES	8	72	11.75"
12"	YES	YES	5	40	13.75"
14"	YES	YES	5	40	15.75"
16"	YES	YES	5	40	17.75"
18"	YES	YES	3	36	19.75"
20"	YES	YES			21.75"

Dampened fittings are available with 1.5" or 2" Stand-Off.

Spin In Conical

CONTACT

Office: 888.973.7600

1100 Ashwood Drive
Suite 1102
Canonsburg, PA 15317

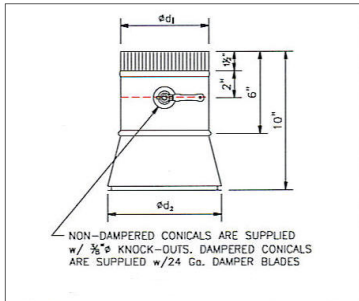
www.clward.com

Detail

- Galvanized Steel (ASTM A653 and A924)
- G-60 Galvanized Coating (ASTM A653 and ASTM 90)
- Available in Specialty Metals:
 - Aluminum (ASTM B209 Alloy 3003 Temper H14)
 - 304 Stainless Steel (ASTM A480 2B Finish)
- Pressure Rating: Designed per SMACNA Third Edition 2005 Section 4.8 Figure 4-6 Brand Connections
- Tested to meet SMACNA Leakage Class 3 requirements (Test performed on fittings with no damper)
- Seams and colatchsealed with zero VOC integral sealant
- Dimensional Tolerance: $\pm 1/4"$
- Available with continuous rod and hardware



Profile



Conical	Option	Riveted	Diameter	Material	Gauge	Option
CN	S15, S2 = 1.5" or 2" Stand off optoin	R	4" to 20"	GA - Galv. S4 - SS304 AL - AL	26,24 26 32	DS= Damper DCS= 3/8" Rod and Damper DS38 = 3/8" Rod, Sure Loc Handle

Item Code Example: CNS2R6GA26DS = Spin In Conical, 2" Stand-off, 6", Galv., 26 ga, w/Damper

Packaging

Product Availability					
Size ϕd_1	Gauge Availability		Quantity		Dimension
	26 Ga.	24 Ga.	Carton	Skid	ϕd_2
4"	YES	-	10	300	5.75"
5"	YES	YES	10	300	6.75"
6"	YES	YES	20	240	7.75"
7"	YES	YES	20	240	8.75"
8"	YES	YES	20	96	9.75"
9"	YES	YES	10	96	10.75"
10"	YES	YES	8	96	11.75"
12"	YES	YES	8	96	13.75"
14"	YES	YES	5	50	15.75"
16"	-	YES	5	40	17.75"
18"	-	YES	5	40	19.75"
20"	-	YES	3	36	21.75"

Dampened fittings are available with 1.5" or 2" Stand-Off.

8" Coupler

CONTACT

Office: 888.973.7600

1100 Ashwood Drive
Suite 1102
Canonsburg, PA 15317

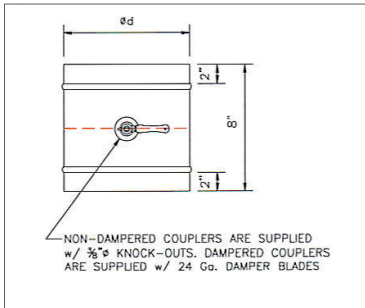
www.clward.com

Detail

- Galvanized Steel (ASTM A653 and A924)
- G-60 Galvanized Coating (ASTM A653 and ASTM 90)
- Available in Specialty Metals:
 - Aluminum (ASTM B209 Alloy 3003 Temper H14)
 - 304 Stainless Steel (ASTM A480 2B Finish)
- Pressure Rating: Designed per SMACNA Third Edition 2005 Section 4.8 Figure 4-6 Brand Connections
- Tested to meet SMACNA Leakage Class 3 requirements (Test performed on fittings with no damper)
- Seams sealed with zero VOC integral sealant
- Neoprene backed washers to seal bearing openings
- Dimensional Tolerance: $\pm 1/4"$
- Available with 3/8" continuous rod and hardware and 20 gauge damper blade



Profile



8" Coupler	Option	Plain End	Riveted	Diameter	Material	Gauge	Option
8CO	S15, S2 = 1.5" or 2" Stand off optoin	P	R	4" to 20"	GA - Galv. S4 - SS304 AL - AL	26,24 26 32	DS= Damper DCS= 3/8" Rod and Damper DS38 = 3/8" Rod, Sure Loc Handle

Item Code Example: 8COS2PR6GA26DS = 8" Coupler, 2" Stand-off, 6", Galv., 26 ga, w/Damper

Packaging

Product Availability				
Size (Ød)	Gauge Availability		Quantity	
	26 Ga.	24 Ga.	Carton	Skid
6"	YES	YES	10	144
7"	YES	YES	12	144
8"	YES	YES	12	144
9"	YES	YES	12	144
10"	YES	YES	12	144
12"	YES	YES	6	72
14"	YES	YES	6	72

Dampered fittings are available with 1.5" or 2" Stand-Off.

6" Coupler

CONTACT

Office: 888.973.7600

1100 Ashwood Drive
Suite 1102
Canonsburg, PA 15317

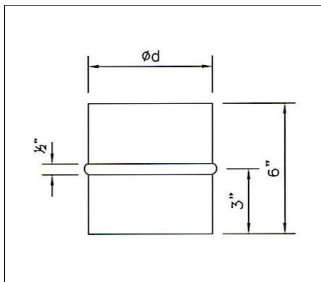
www.clward.com

Detail

- Galvanized Steel (ASTM A653 and A924)
- G-60 Galvanized Coating (ASTM A653 and ASTM 90)
- Available in Specialty Metals:
 - Aluminum (ASTM B209 Alloy 3003 Temper H14)
 - 304 Stainless Steel (ASTM A480 2B Finish)
- Pressure Rating: Designed per SMACNA Third Edition 2005 Section 4.8 Figure 4-6 Brand Connections
- Tested to meet SMACNA Leakage Class 3 requirements (Test performed on fittings with no damper)
- Dimensional Tolerance: $\pm 1/4"$



Profile



6" Coupler	Plain End	Riveted	Diameter	Material	Gauge
6CO	P	R	4" to 20"	GA - Galv. S4 - SS304 AL - AL	26,24 26 32

Item Code Example: 6COPR6GA26 = 6" Coupler, 6", Galv., 26 ga.

Packaging

Product Availability				
Size (Ød)	Gauge Availability		Quantity	
	26 Ga.	24 Ga.	Carton	Skid
6"	YES	YES	10	240
7"	YES	YES	12	240
8"	YES	YES	12	240
9"	YES	YES	12	240
10"	YES	YES	12	240
12"	YES	YES	6	120
14"	YES	YES	6	120

Damper Section

CONTACT

Office: 888.973.7600

1100 Ashwood Drive
Suite 1102
Canonsburg, PA 15317

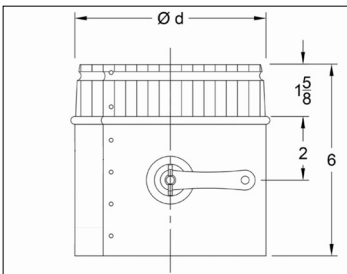
www.clward.com

Detail

- Galvanized Steel (ASTM A653 and A924)
- G-60 Galvanized Coating (ASTM A653 and ASTM 90)
- Available in Specialty Metals:
 - Aluminum (ASTM B209 Alloy 3003 Temper H14)
 - 304 Stainless Steel (ASTM A480 2B Finish)
- Pressure Rating: Designed per SMACNA Third Edition 2005 Section 4.8 Figure 4-6 Brand Connections
- Tested to meet SMACNA Leakage Class 3 requirements (Test performed on fittings with no damper)
- Seams sealed with zero VOC integral sealant
- Neoprene backed washers to seal bearing openings
- Dimensional Tolerance: $\pm 1/4"$
- Available with 3/8" continuous rod and hardware and 20 gauge damper blade



Profile



DS38 Option

8" Coupler	Option	Crimped	Diameter	Material	Gauge	Option
NF6	S15, S2 = 1.5" or 2" Stand off option	C	4" to 20"	GA - Galv. S4 - SS304 AL - AL	26,24 26 32	DS= Damper DCS= 3/8" Rod and Damper DS38 = 3/8" Rod, Sure Loc Handle

Item Code Example: NF6C8GA26DS = Damper Section 8", Galv., 26 ga, w/Damper

Packaging

Product Availability				
Size (Ød)	Gauge Availability		Quantity	
	26 Ga.	24 Ga.	Carton	Skid
4"	YES	YES	10	144
5"	YES	YES	10	144
6"	YES	YES	10	144
7"	YES	YES	12	144
8"	YES	YES	12	144
9"	YES	YES	12	144
10"	YES	YES	12	144
12"	YES	YES	6	72
14"	YES	YES	6	72

Free Flowing Tee

CONTACT

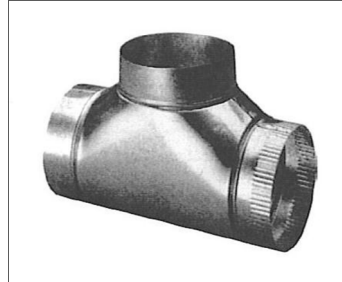
Office: 888.973.7600

1100 Ashwood Drive
Suite 1102
Canonsburg, PA 15317

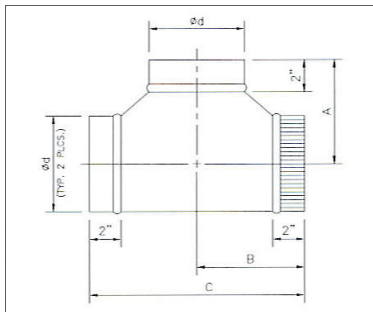
www.clward.com

Detail

- Galvanized Steel (ASTM A653 and A924)
- G-60 Galvanized Coating (ASTM A653 and ASTM 90)
- Available in Specialty Metals:
 - Aluminum (ASTM B209 Alloy 3003 Temper H14)
 - 304 Stainless Steel (ASTM A480 2B Finish)
- Pressure Rating: Designed per SMACNA Third Edition 2005 Section 4.8 Figure 4-6 Brand Connections
- Dimensional Tolerance: $\pm 1/4"$



Profile



Free Flowing T	Diameter	Material	Gauge
FTJ	4" to 12"	GA - Galv. S4 - SS304 AL - AL	26,24 26 32

Item Code Example: FTJ6GA26 = Free Flowing Tee, 6", Galv., 26 ga.

Packaging

Product Availability							
Size	Gauge Availability		Quantity		Dimension		
	26 Ga.	24 Ga.	Carton	Skid	A	B	C
4"	YES	-	20	240	6"	5 1/4"	10 1/2"
5"	YES	YES	15	180	6 1/2"	12 1/8"	14 1/8"
6"	YES	YES	15	180	6 1/2"	6 1/2"	13"
7"	YES	YES	8	80	7 1/2"	7 1/4"	14 1/2"
8"	YES	YES	8	80	8 3/8"	8 1/16"	15 3/4"
9"	YES	YES	4	48	9"	8 3/8"	16 3/4"
10"	YES	YES	4	48	9 3/8"	10"	20"
12"	YES	YES	2	36	10 3/4"	10 3/4"	21 1/2"

Tee Joint Sizes 3" and 14" - 20" are available in 90° Tee Joint

90° Tee Joint

CONTACT

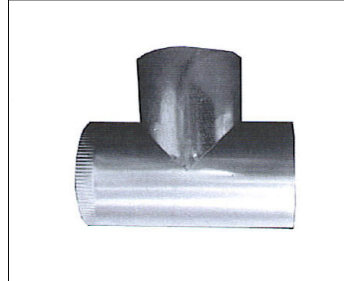
Office: 888.973.7600

1100 Ashwood Drive
Suite 1102
Canonsburg, PA 15317

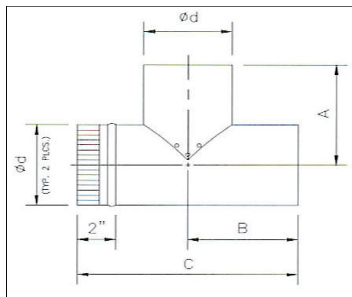
www.clward.com

Detail

- Galvanized Steel (ASTM A653 and A924)
- G-60 Galvanized Coating (ASTM A653 and ASTM 90)
- Available in Specialty Metals:
 - Aluminum (ASTM B209 Alloy 3003 Temper H14)
 - 304 Stainless Steel (ASTM A480 2B Finish)
- Pressure Rating: Designed per SMACNA Third Edition 2005 Section 4.8 Figure 4-6 Brand Connections
- Dimensional Tolerance: $\pm 1/4"$



Profile



90 Tee	Diameter	Material	Gauge
TJ	3", 14" to 20"	GA - Galv. S4 - SS304 AL - AL	26,24 26 32

Item Code Example: TJ16GA26 = 90 Tee Joint, 16", Galv., 26 ga.

Packaging

Product Availability							
Size	Gauge Availability		Quantity		Dimension		
	26 Ga.	24 Ga.	Carton	Skid	A	B	C
3"	YES	-	20	240	5"	4 1/2"	9"
14"	YES	YES	1	12	11"	9 1/2"	19"
16"	YES	YES	1	12	12"	12"	24"
18"	YES	YES	1	12	15"	15"	30"
20"	YES	YES	1	12	18"	16"	32"

Tee Joint Sizes 4" - 12" are available in Free Flow Tee Joint

Reducers

CONTACT

Office: 888.973.7600

1100 Ashwood Drive
Suite 1102
Canonsburg, PA 15317

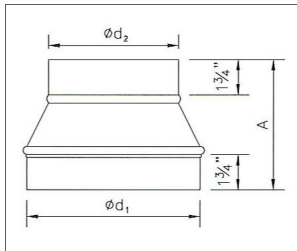
www.clward.com

Detail

- Galvanized Steel (ASTM A653 and A924)
- G-60 Galvanized Coating (ASTM A653 and ASTM 90)
- Available in Specialty Metals:
 - Aluminum (ASTM B209 Alloy 3003 Temper H14)
 - 304 Stainless Steel (ASTM A480 2B Finish)
- Pressure Rating: Designed per SMACNA Third Edition 2005 Section 4.8 Figure 4-6 Brand Connections
- Dimensional Tolerance: $\pm 1/4"$



Profile



Reducer	Large Diameter	Plain or Crimped	Small Diameter	Plain or Crimped	Material	Gauge
R	$\phi 1$	P (standard) or R (option)	$\phi 2$	P (standard) or R (option)	GA - Galv. S4 - SS304 AL - AL	26,24 26 32

Item Code Example: R8P6PGA26 = Reducer, 8" - 6", Galv., 26 ga.

Packaging

Size $\phi d_1 \times \phi d_2$	Product Availability				Dimension A
	Availability		Quantity		
	26 Ga.	24 Ga.	Carton	Skid	
4" x 3"	YES	YES	25	336	6 3/4"
5" x 3"	YES	YES	25	336	6 3/4"
5" x 4"	YES	YES	25	336	6 1/4"
6" x 3"	YES	YES	25	336	7"
6" x 4"	YES	YES	25	336	7"
6" x 5"	YES	YES	25	336	5 6/8"
7" x 3"	YES	YES	20	192	5 13/16"
7" x 4"	YES	YES	20	192	6"
7" x 5"	YES	YES	20	192	6"
7" x 6"	YES	YES	20	192	6 1/4"
8" x 5"	YES	YES	20	192	7"
8" x 6"	YES	YES	20	192	6"
8" x 7"	YES	YES	20	192	6 1/4"
9" x 5"	YES	YES	20	120	6 11/16"
9" x 6"	YES	YES	20	120	7"
9" x 7"	YES	YES	20	120	6"
9" x 8"	YES	YES	20	120	6 1/4"
10" x 6"	YES	YES	20	120	7 1/2"

Size $\phi d_1 \times \phi d_2$	Product Availability				Dimension A
	Availability		Quantity		
	26 Ga.	24 Ga.	Carton	Skid	
10" x 7"	YES	YES	20	120	6 3/4"
10" x 9"	YES	YES	20	120	6"
12" x 6"	YES	YES	20	168	9 1/2"
12" x 7"	YES	YES	20	168	9"
12" x 8"	YES	YES	20	168	8 1/8"
12" x 9"	YES	YES	20	168	7"
12" x 10"	YES	YES	20	168	6"
14" x 10"	YES	YES	20	192	8"
14" x 12"	YES	YES	20	192	6"
16" x 10"	-	YES	10	192	6 3/4"
16" x 12"	-	YES	10	192	7 1/2"
16" x 14"	-	YES	10	192	6"
18" x 14"	-	YES	10	120	7 1/2"
18" x 16"	-	YES	10	120	7 3/4"
20" x 14"	-	**	10	60	9 1/2"
20" x 16"	-	**	10	60	9 3/4"
20" x 18"	-	**	10	60	6"

** Consult factory for availability

End Cap

CONTACT

Office: 888.973.7600

1100 Ashwood Drive
Suite 1102
Canonsburg, PA 15317

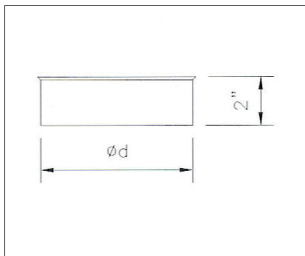
www.clward.com

Detail

- Galvanized Steel (ASTM A653 and A924)
- G-60 Galvanized Coating (ASTM A653 and ASTM 90)
- Available in Specialty Metals:
 - Aluminum (ASTM B209 Alloy 3003 Temper H14)
 - 304 Stainless Steel (ASTM A480 2B Finish)
- Pressure Rating: Designed per SMACNA Third Edition 2005 Section 4.8 Figure 4-6 Brand Connections
- Dimensional Tolerance: $\pm 1/4"$



Profile



End Cap	Plain or Crimped	Diameter	Material	Gauge
EC	P (Standard) or C (Option)	3" to 24"	GA - Galv. S4 - SS304 AL - AL	26,24 26 32

Item Code Example: ECP6GA26 = End Cap, Plain, 6", Galv., 26 ga.

Packaging

Size ϕd	Product Availability			
	Gauge Availability		Quantity	
	26 Ga.	24 Ga.	Carton	Skid
3"	YES	-	30	840
4"	YES	YES	25	700
5"	YES	YES	25	700
6"	YES	YES	25	700
7"	YES	YES	25	700
8"	YES	YES	25	700
9"	YES	YES	40	480
10"	YES	YES	40	480
12"	YES	YES	20	280
14"	YES	YES	20	280
16"	-	YES	10	160
18"	-	YES	10	100
20"	-	YES	10	120
22"	-	**	**	**
24"	-	**	**	**

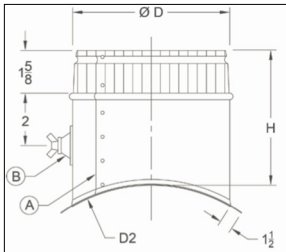
Saddle Tap

Detail

- Press-On Saddle Tap
- Galvanized Steel (ASTM A653 and A924)
- G-60 Galvanized Coating (ASTM A653 and ASTM 90)
- G-90 available upon request
- Available in Specialty Metals:
 - Aluminum (ASTM B209 Alloy 3003 Temper H14)
 - 304 Stainless Steel (ASTM A480 2B Finish)
- Pressure Rating: Designed per SMACNA Third Edition 2005 Section 4.8 Figure 4-6 Brand Connections
- Dimensional Tolerance: $\pm 1/4"$
- Sealed joints
- Non-damper taps are supplied with 3/8" knock-outs



Profile



Saddle Tap	Option	Collar Diameter	Pipe Diameter	Material	Gauge	G 90	Option	Option
ST	S2 2" Stand off option	6	10	GA - Galv. S4 - SS304 AL - AL	26,24 26 32	90	DS= Damper	38 = 3/8" Sure-Loc Hardware

Item Code Example: ST610GA26 = Saddle Tap 6" Collar on 10" Round, Galv., 26 ga.

Packaging

Collar Dia (D)	Pipe Dia (D2)	H	Carton Qty
4"	6" 8"-10"	5 3/4"	30
5"	7"-9" 10"-12"	5 3/4"	25
6"	6" 7"-8" 8"-10", 12"-14" 16"-18" 20"-22"	5 3/4"	20
7"	10"-12" 14"-16"	5 3/4"	20
8"	8" 10"-12" 14"-16" 18"-20" 22"-24"	5 3/4"	20
10"	10" 12"-14" 16"-18" 20"-22"	5 3/4"	10

Collar Dia (D)	Pipe Dia (D2)	H	Carton Qty
12"	12" 14"-16" 18"-20" 22"-24"	7 3/4"	10
14"	14" 16"-18" 20"-22" 24"-26"	7 3/4"	5
16"	16" 18"-20" 22"-24"	7 3/4"	5
18"	18" 20"-22" 24"	7 3/4"	5
20"	20" 22"-24"	7 3/4"	5

Available in 26 and 24 Gauge (4" on 6" in 26 ga only)

CONTACT

Office: 888.973.7600

1100 Ashwood Drive
Suite 1102
Canonsburg, PA 15317

www.clward.com

Stand Off Kits

CONTACT

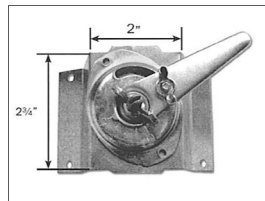
Office: 888.973.7600

1100 Ashwood Drive
Suite 1102
Canonsburg, PA 15317

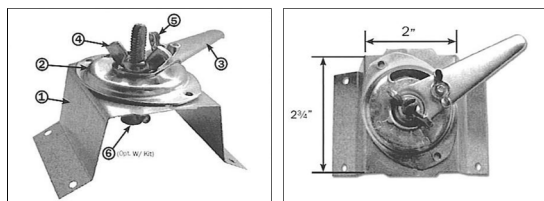
www.clward.com

Detail

1. Stand-Off Bracket - Available in 1 1/2" and 2" G-60, 26 gauge galvanized steel
2. 1/4" Turn Dial Regulator - G-60, 20 gauge galvanized steel
3. Damper Handle - G-60, 20 gauge galvanized steel
4. Wing Nut - 5/16" Zinc coated wing nut
5. Handle Lock Wing Nut - Galvanized (used to lock handle in desired position)
6. Shaft Extension (Optional w/Kit) - Zinc-Aluminum Cast Alloy with 5/16" - 18 UNC-1A threads and a 1/8" set screw. Supplied with Stand-Off Kits listed below.



Profile



Packaging

Item Code	Description	Packaging
SDRKIT1.5	1.5" Stand off Kit	50 per carton
SDRKIT2	2" Stand off Kit	50 per carton

3/8" Stand-off Options

CONTACT

Office: 888.973.7600

1100 Ashwood Drive
Suite 1102
Canonsburg, PA 15317

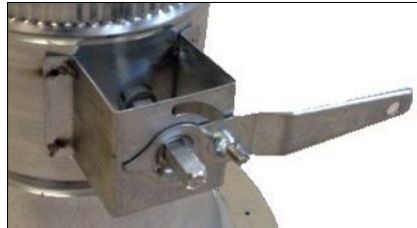
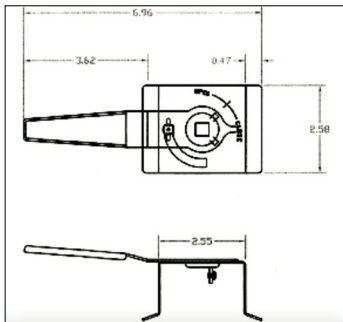
www.clward.com

Detail

Some CL WARD fittings are available with 3/8" continuous rod and hardware. Information on this hardware is below.

Option - "DCS"

- Available in 1.5" and 2" galvanized steel
- Quadrant - 18 ga. galvanized
- Handle - 16 ga. galvanized
- Embossed Open to Close direction guide
- Forged steel wing nut
- 3/8" Bushing - PA66 Material
- Virtually zero leakage snap-in bearings



Option - "DS38"

- Inscribed damper positioning guide from 0° to 90°
- Quadrant formed from 18 gauge galvanized
- Quadrant height - 2"
- 15 self-locking positions
- Handle orientation indicates true damper blade position
- Integrated mechanical tightening/locking feature
- Anti-Vibration set screw

