

# HETO - Tapered

## CONTACT

Office: 888.973.7600

1100 Ashwood Drive  
Suite 1102  
Canonsburg, PA 15317

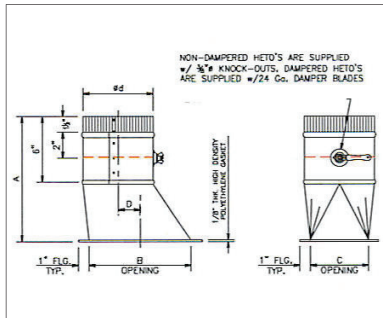
[www.clward.com](http://www.clward.com)

## Detail

- Galvanized Steel (ASTM A653 and A924)
- G-60 Galvanized Coating (ASTM A653 and ASTM 90)
- Tested to meet SMACNA Leakage Class 3 requirements (Test performed on fittings with no damper)
- Available in Specialty Metals:
  - Aluminum (ASTM B209 Alloy 3003 Temper H14)
  - 304 Stainless Steel (ASTM A480 2B Finish)
- Pressure Rating: -1" w.g. - +2" w.g.
- Dimensional Tolerance:  $\pm 1/4"$
- Non-damper HETO's supplied with 3/8" knock-out
- Seams and co-latch are sealed with integral sealant
- Available with 3/8" continuous rod and hardware



## Profile



Straight Sided HETO	Option	Diameter	Material	Gauge	Option	Option
HT	S15, S2 = 1.5" or 2" Stand off option	4 to 20	GA - Galv. S4 - SS304 AL - AL	26,24 26 32	DS= Damper DCS= 3/8" Rod and Damper	38 = Rossi Hardware

Item Code Example: HTS26GA26DS = Straight HETO, 2" Stand-off, 6", Galv., 26 ga, w/Damper

## Packaging

Size	Product Availability							
	Gauge Availability		Quantity		Dimension			
	26 Ga.	24 Ga.	Layer	Skid	A	B	C	D
4"	YES	-	35	210	10.5"	7"	4"	1.5"
5"	YES	YES	30	180	10.5"	9"	5"	2.5"
6"	YES	YES	30	180	10.5"	9"	5"	2"
7"	YES	YES	18	120	10.5"	11"	5"	2.5"
8"	YES	YES	20	120	11.5"	12"	6"	2.5"
9"	YES	YES	20	120	11.5"	13"	7"	2.5"
10"	YES	YES	12	72	11.5"	14"	8"	2.5"
12"	YES	YES	9	54	11.5"	16"	10"	3"
14"	YES	YES	6	36	12"	18"	12"	3"
16"	YES	YES	4	24	13"	20"	14"	3"
18"	YES	YES	4	24	13"	22"	16"	3"
20"	YES	YES	4	24	13"	24"	18"	3"

Dampened fittings are available with 1.5" or 2" Stand-Off.

