

Adjustable Elbow - 90°

CONTACT

Office: 888.973.7600

1100 Ashwood Drive
Suite 1102
Canonsburg, PA 15317

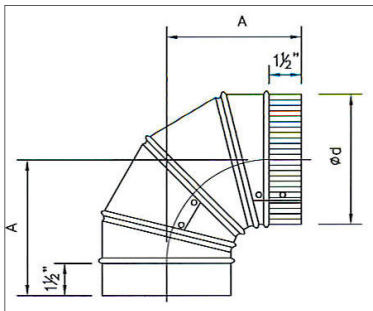
www.clward.com

Detail

- Galvanized Steel (ASTM A653 and A924)
- G-60 Galvanized Coating (ASTM A653 and ASTM 90)
- G-90 available upon request
- Available in Specialty Metals:
 - Aluminum (ASTM B209 Alloy 3003 Temper H14)
 - 304 Stainless Steel (ASTM A480 2B Finish)
- Pressure Rating: -1" w.g. - +2" w.g.
- Dimensional Tolerance: $\pm 1/4"$



Profile



Adjustable Elbow	Option	Diameter	Style	Material	Gauge	G 90
AE	C = Crimp on both ends	3 to 24	90	GA - Galv. S4 - SS304 AL - AL 32	26,24 26 32	90

Item Code Example: AE690GA26 = Adjustable Elbow, 6", 90 Degree, Galv., 26 ga.

Packaging

Size ød1	Product Availability				
	Gauge Availability		Quantity		Dimension
	26 Ga.	24 Ga.	Bundle	Skid	A
3"	YES	-	12	720	4.5"
4"	YES	YES	12	576	6"
5"	YES	YES	12	432	7.5"
6"	YES	YES	12	216	9"
7"	YES	YES	12	144	10.5"
8"	YES	YES	12	144	12"
9"	YES	YES	12	96	9"
10"	YES	YES	12	96	10"
12"	YES	YES	12	96	12"
14"	YES	YES	8	80	14"
16"	-	YES	8	64	16"
18"	-	YES	4	16	18"
20"	-	YES	4	12	20"
22"	-	**	4	12	**
24"	-	**	4	12	**