

6" Spin In Collar

CONTACT

Office: 888.973.7600

1100 Ashwood Drive
Suite 1102
Canonsburg, PA 15317

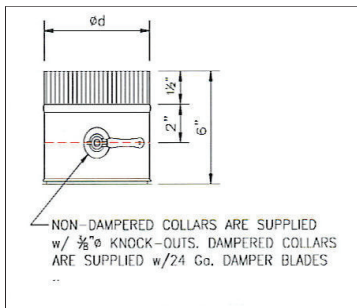
www.clward.com

Detail

- Galvanized Steel (ASTM A653 and A924)
- G-60 Galvanized Coating (ASTM A653 and ASTM 90)
- Available in Specialty Metals:
 - Aluminum (ASTM B209 Alloy 3003 Temper H14)
 - 304 Stainless Steel (ASTM A480 2B Finish)
- Pressure Rating: Designed per SMACNA Third Edition 2005 Section 4.8 Figure 4-6 Brand Connections
- Tested to meet SMACNA Leakage Class 3 requirements (Test performed on fittings with no damper)
- Seams sealed with zero VOC integral sealant
- Dimensional Tolerance: $\pm 1/4"$
- Available with $3/8"$ continuous rod and hardware



Profile



Scoop	6" Spin In	Option	Crimped	Riveted	Diameter	Material	Gauge	Option	Option
S (Option)	6SI	S15, S2 = 1.5" or 2" Stand off optoin	C	R	4" to 20"	GA - Galv. S4 - SS304 AL - AL	26,24 26 32	DS= Damper DCS= 3/8" Rod and Damper	38 = Rossi Hardware

Item Code Example: 6SIS2CR6GA26DS = 6" Spin In Collar, 2" Stand-off, 6", Galv., 26 ga, w/Damper

Packaging

Size ød	Product Availability			
	Gauge Availability		Quantity	
	26 Ga.	24 Ga.	Carton	Skid
4"	YES	-	30	360
5"	YES	YES	30	360
6"	YES	YES	20	240
7"	YES	YES	20	240
8"	YES	YES	20	240
9"	YES	YES	20	120
10"	YES	YES	20	120
12"	YES	YES	10	120
14"	YES	YES	5	120
16"	YES	YES	5	60
18"	YES	YES	5	60
20"	YES	YES	5	60

Dampened fittings are available with 1.5" or 2" Stand-Off.